

LEDone®

Clear Exit Sign Series Installation Guide

SAFETY INSTRUCTIONS: Read instructions carefully before attempting to install fixture.

- All wiring should be performed by a qualified electrician.
- Disconnect power before installing or servicing. This fixture must be wired in accordance with the National Electrical Code and applicable local codes and ordinances.
- Proper grounding is required to ensure personal safety.
- Do NOT use this equipment for other than its intended use.

CAUTION: Risk of fire

- **WARNING:** Make certain power is OFF before installing or maintaining fixture. No user serviceable parts inside.
- **WARNING:** When re-lamping, only use lamps specified in the exit sign. Using other lamp types may result in transformer damage or unsafe conditions.
- **WARNING:** Battery in this unit may not be fully charged. After electricity is hooked up to the unit, let the battery charge for at least 24 hours. Then normal operation of this unit should take effect (when applicable).
- **WARNING:** Equipment should be mounted in locations and at heights where it will not be subject to tampering by unauthorized personnel. Flexible conduit only.
- **WARNING:** Do NOT use outdoors.
- **WARNING:** Do NOT mount near gas or electric heaters.

CLEANING & MAINTENANCE:

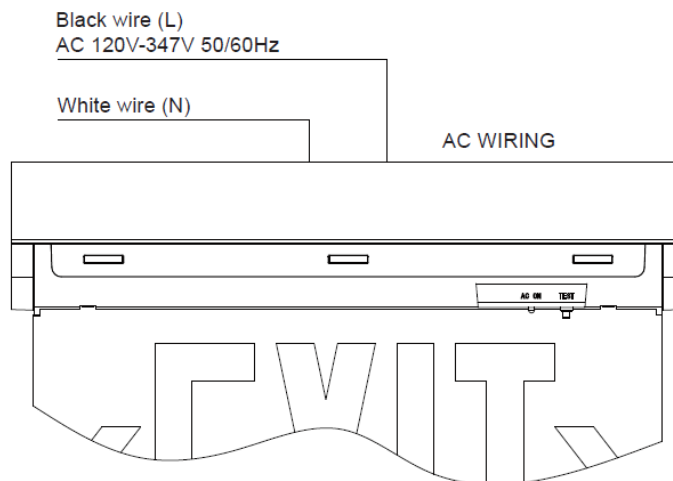
CAUTION: Be sure the fixture temperature is cool enough to touch. Do NOT clean or maintain while the fixture is energized.

1. Clean lens with non-abrasive cleaning solution.
2. Do NOT open fixture to clean the LED. Do NOT touch the LED.

Note: These instructions do not cover all details or variation in equipment, nor do they provide for every possible situation during installation, operation or maintenance.

TESTING:

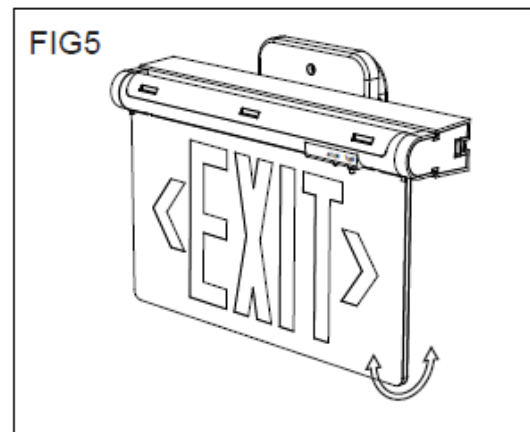
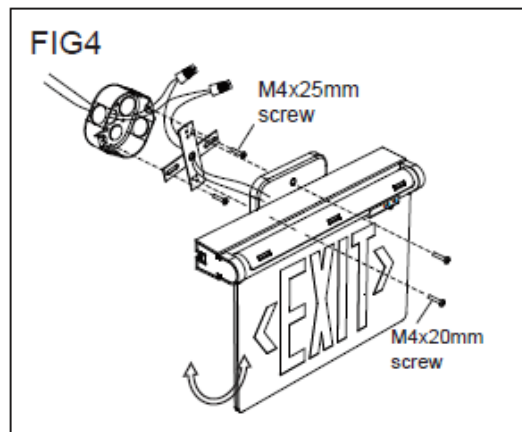
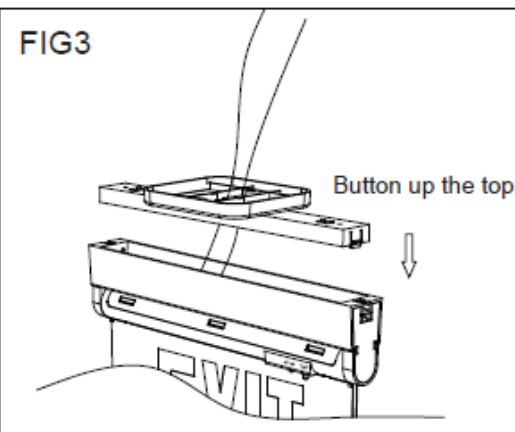
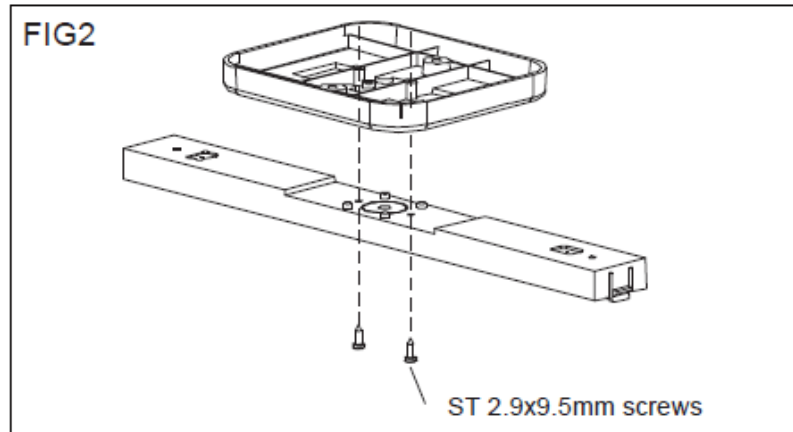
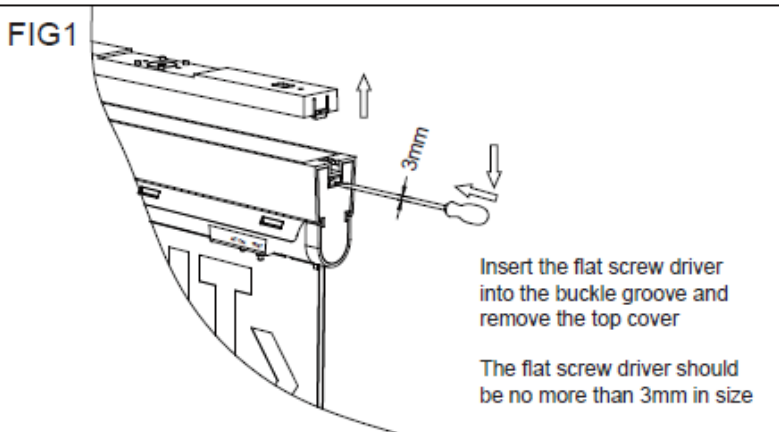
- National Electric Code (NEC) and NFPA life safety code regulations require that routine tests need to be performed as listed below:
 - Once every month, the unit needs to be tested for a duration of 30-seconds.
 - Push in and hold the test switch to perform this test.
 - Once every 12 months, a full 90-minute (per UL requirements) test needs to be performed on the unit.
 - Disconnect the power to the unit and leave it in the emergency mode.
 - The LEDs should stay ON for at least 90 minutes.



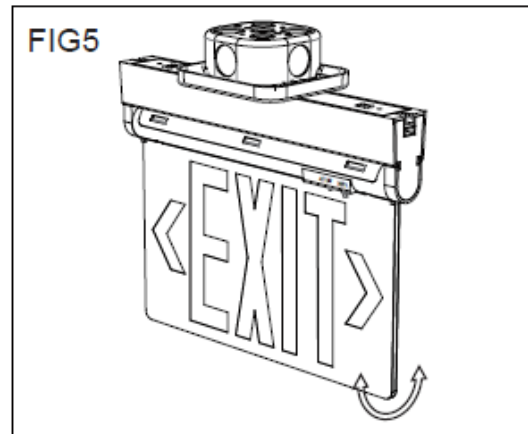
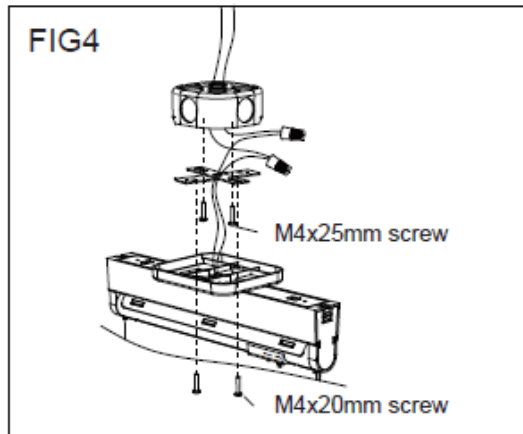
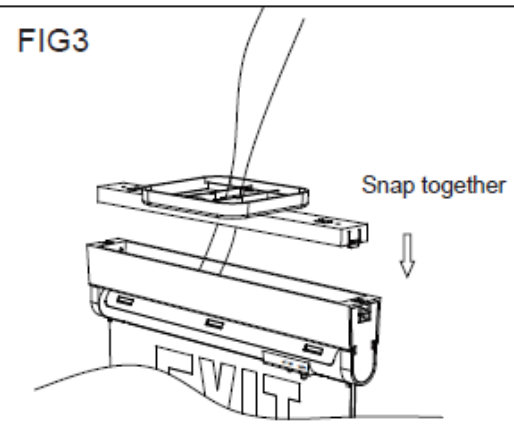
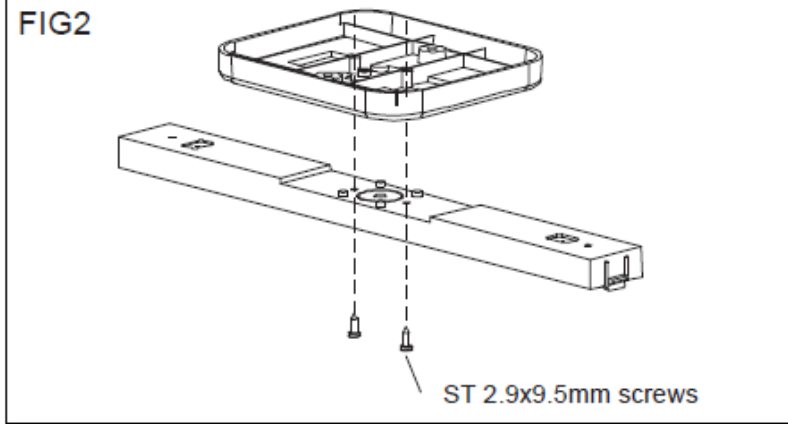
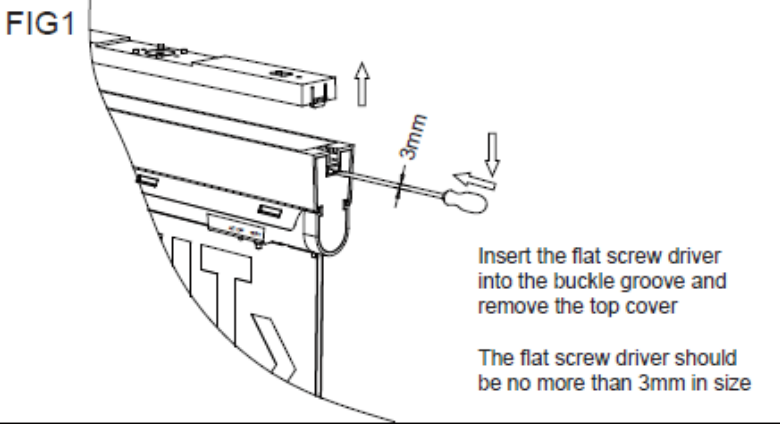
MOUNTING OPTIONS:

• WALL MOUNTING:

- A. Open the top cover using a flat screwdriver. (Fig. 1)
- B. Connect the top cover to the canopy using the screws supplied. Feed the AC supply wire through the top cover and canopy center hole. Snap top cover back onto the fixture. (Fig. 2-3)
- C. Assemble canopy onto the J-box with the screws supplied and make the proper wire connections. Cap unused wires. Black Wire (L), White Wire (N) (Fig. 4)
- D. Use the screws to tighten the canopy to the mounting plate. (Fig. 4)
- E. The fixture can be installed on any surface, you may rotate the acrylic panel in any angle from 0° to 180°. (Fig. 5)



- **CEILING MOUNTING:** (Top Mount)
 - A. Open the top cover using a flat screwdriver. (Fig. 1)
 - B. Connect the top cover to the canopy using the screws supplied. Feed the AC supply wire through the top cover and canopy center hole. Snap top cover back onto the fixture. (Fig. 2-3)
 - C. Assemble canopy onto the J-box with the screws supplied and make the proper wire connections. Cap unused wires. Black Wire (L), White Wire (N) (Fig. 4)
 - D. Use the screws to tighten the canopy to the mounting plate. (Fig. 4)
 - E. The fixture can be installed on any surface, you may rotate the acrylic panel in any angle from 0° to 180°. (Fig. 5)



• SIDE WALL MOUNTING:

- A. Open the top cover using a flat screwdriver. (Fig. 1)
- B. Snap the top cover into the side of the fixture. Pull out the AC supply wires through the holes of the end cap and then the canopy. Snap top cover back onto the fixture. (Fig. 2-3)
- C. Assemble canopy end cap to the metal bracket with the screws supplied and make the proper wire connections. Cap unused wires. Black Wire (L), White Wire (N) (Fig. 4)
- D. Use the screws to tighten the canopy to the plate. (Fig. 4)
- E. The fixture can be installed on any surface, you may rotate the acrylic panel in any angle from 0° to 180°. (Fig. 5)

